

18 Volt 450 Gram Grease Gun DG83231



Charger Input Power	230 Vac 50Hz
Battery Output Power	18Vdc
Battery Capacity	1500 mAh
Battery Pack Charge Time	1 Hour
Maximum Operating Pressure	9,500 PSI (500psi tolerance)
Grease Reservoir Capacity (oz.)	16
Minimum Flow Rate	75 (3 grams tolerance)
Hose	42"
Weight	18.4 lbs

SAFETY INSTRUCTIONS

Failure to follow all instructions listed below may result in electric shock, fire, and/or serious injury. Please read carefully

WORK AREA

1. Keep your work area clean and well lit. Cluttered benches and dull areas may cause accidents.
2. Do not operate power tools in explosive atmospheres such as in the presence of flammable liquids, gases, or dust. Power tools create sparks that may ignite the materials.
3. Keep bystanders, children, and visitors away while operating a power tool. Distractions can lead you to lose control.

ELECTRICAL SAFETY

1. Avoid body contact with grounded surfaces such as pipes, couplers. There is an increased risk of electric shock if your body is grounded.
2. Do not expose power tools to rain or wet conditions. Water entering a power tool will increase the risk of electric shock.

PERSONAL SAFETY

1. Stay alert. Watch what you are doing and use common sense when operating a power tool. Do not use a power tool while tired or under the influence of drugs, alcohol, or medication. A moment of inattention while operating power tools may result in serious personal injury
2. Dress properly. Do not wear loose clothing or jewelry. Contain long hair. Keep your hair, clothing, and gloves away from moving parts. Loose clothes, jewelry, or long hair can be caught in moving parts.
3. Avoid accidental starting. Be sure the Switch is released before plugging in. Carrying power tools with your finger on the Trigger, or plugging in power tools with the Trigger depressed invites accidents.
4. Remove adjusting keys or wrenches before turning the power tool on. A wrench or a key that is left attached to a rotating part of the power tools may result in personal injury
5. Do not overreach. Keep proper footing and balance at all times. Proper Tooling and balance enables better control of the power tool in unexpected situations.
6. Use safety equipment. Always wear approved safety glasses underneath a full face safety shield Dust mask, non-skid safety shoes, hard hat, or hearing protection must be used for appropriate conditions.

WARNING

1. Do not use battery charger in damp or wet locations. Do not use the Grease Gun or Charger if it has been dropped, damaged, left outdoors, or immersed in liquid. To avoid electrical shock, do not handle the charger, its power cord plug, or the Grease Gun with wet hands.
2. Grease Gun can develop high pressure – up to 10,000 PSI. Use safety glasses and gloves for protection during operation. Keep hands clear of the exposed rubber portion of Hose:
3. Extreme pressure may cause Nozzle extension or Flex Hose to burst. Use only APPROVED hoses and follow whip hose instructions and warnings.

SAVE THIS MANUAL

You will need this manual for the safety warnings and precautions, assembly, operating, maintenance and cleaning procedures.

CHARGER OPERATION



CHARGING THE BATTERY PACK GENERAL

Before using Grease Gun for the first time, if the battery pack is installed in the gun, remove it by depress the two battery release buttons (one button on each side of battery pack) and pull battery pack out of gun.

As a battery pack approaches the discharged state, you will notice a sharp drop in tool performance. When the tool is unable to perform the task at hand, it is time to recharge the battery pack. Recharging the battery pack before this condition is reached will reduce the total work life of the pack. Discharging the pack beyond this point can damage the pack.

Start the charging process by plugging in the battery charger and inserting the battery into battery charger slot. After termination of the charging (approx. 1-2h), pull charger out of socket and remove battery.



NOTE

Battery temperature will increase during and shortly after use. Batteries may not accept a full charge if they are charged immediately after use. Allow the battery pack to cool to room temperature before charging for best results. Insert the Battery Pack into the Charging Socket of the Charger. Then: plug the Charger into the nearest 230 volt, grounded, electrical outlet. To start charging press the "Set" button on the Charger. Battery is charging when the green light illuminates.

NORMAL CHARGING

Make sure power circuit voltage is the same as that shown on the charger specification plate. Connect charger to power source.

INSTALLING OR REMOVING BATTERY PACK TO REMOVE BATTERY PACK

Depress the two battery release buttons (one button on each side of battery pack) and pull battery pack out of grease gun.

HOW TO INSTALL A GREASE CARTRIDGE

Make sure power circuit voltage is the same as that shown on the charger specification plate. Connect charger to power source.

Removing Empty Grease Cartridge

- 1) Pull back on the follower handle until the follower rod is fully extended and latch the follower rod groove into the slot on the tube end cap of the Grease Tube
- 2) Unscrew the grease tube assembly from the gun.
- 3) Carefully release the follower handle to eject the empty cartridge from container tube

Installing Grease Cartridge

- 1) Remove the plastic cap from the grease cartridge and insert cartridge into the container tube.
- 2) Remove the pull tab from grease cartridge and screw grease tube into pump assembly
- 3) Release follower rod from slot to allow it to go forward. Purge air from pump. *See air purging instructions*

TO CONVERT GUN TO ALLOW FILLING FROM BULK CONTAINER OR FILLER PUMP

- 1) Unscrew the case tube assembly cap from the grease tube assembly. Pull on the follower handle to extract the follower and spring from the grease tube assembly.
- 2) Grasp follower between thumb and forefinger and flip the follower lip from the rear to the front side
NOTE: The follower resembles a cup. When the gun is assembled for use with bulk lubricant, the cup opens toward the pump assembly
- 3) Reassemble follower into grease tube assembly and position with the follower handle so that the grease tube assembly cap can be tightened onto the container tube

TO FILL THE GUN FROM BULK CONTAINER

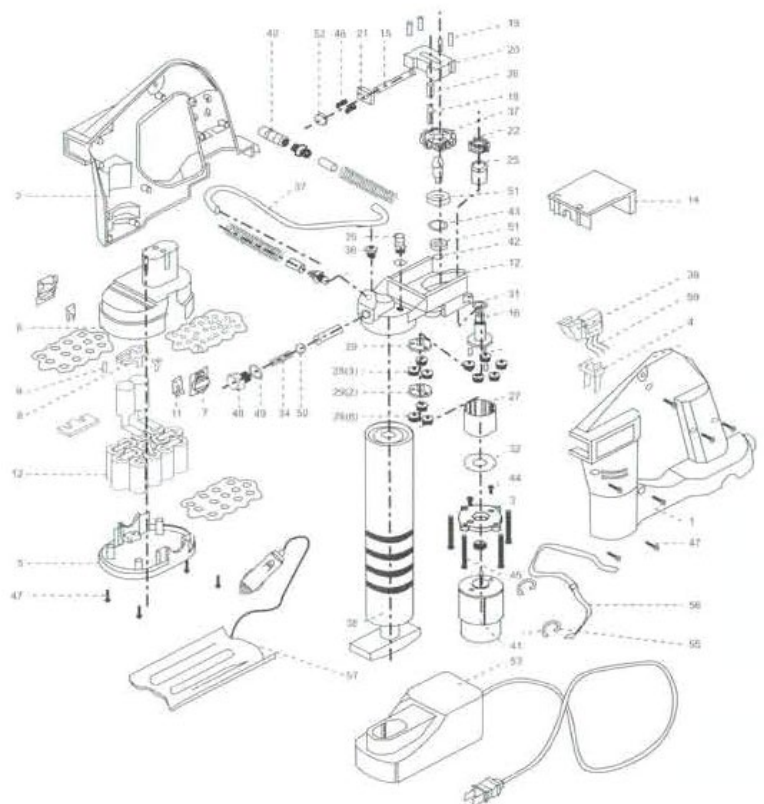
- 1) Remove grease tube from the gun
- 2) Insert the open end of the grease tube assembly into lubricant. Slowly pull the follower handle back while pushing the grease tube assembly deeper into the lubricant to prevent air pockets from being pulled into the grease tube assembly
- 3) When the follower rod is fully extended, pull it sideways to latch the rod groove into the keyhole slot in the grease tube assembly cap.
- 4) Turn the Grease Tube into the gun and release the follower rod from the slot on the end cap of the tube to allow the follower rod go forward.
- 5) Clean any excess grease of the gun body

TO EXPEL AIR POCKETS

- 1) Free the follower rod from the grease tube assembly cap and depress the vent valve when pushing the follower rod forward
- 2) Squeeze the switch several times to operate gun until trapped air is expelled. Push the follower rod into the grease tube assembly

INSPECTION, MAINTENANCE, AND CLEANING

1. **WARNING** Make sure the Switch is in the "off" position, Battery is removed from the Grease Gun and unplug the Charger from its electrical outlet before performing any inspection, maintenance, or cleaning
2. **BEFORE EACH USE**, check the general condition of the Grease Gun. Check for misalignment or binding of moving parts, cracked or broken parts, leaking Battery Pack, damaged Hose, and any other condition that may affect its safe operation. If abnormal noise or vibration occurs, have the problem corrected before further use. Do not use damaged equipment
3. **Battery Pack Precautions:** Never burn Batteries, as they can explode in a fire. Do not charge leaking Batteries. Only a qualified service technician should perform maintenance on the Battery Pack. Contact local solid waste authorities for instructions on correct disposal or recycling of the Battery Pack.
4. **DAILY** Use a soft, dry cloth, remove all dirt, grease, and debris from the exterior of the Grease Gun. Do not use solvents to clean the Grease Gun
5. **When storing:** Always remove the Battery Pack from the Grease Gun. Keep the Grease Gun and its accessories in a clean, dry location and out of children reach



Replacement Parts:
 18V Battery
 18V Quick Charger
 42" Flex Hose
 Nozzle (Coupler)