



LEADERS IN FLUID TRANSFER SOLUTIONS

OIL BAR

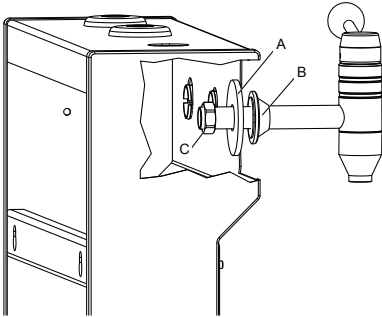
■ 1871 SERIES



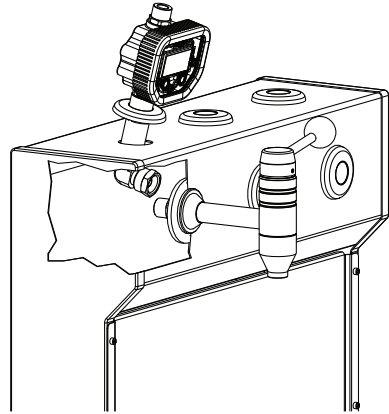
PRODUCT DATA

Item No.	18712201	18712202	18713301	18713302	18712001	18712002	18713001	18713002
Assembly #4	2 PCS	2 PCS	3 PCS	3 PCS	0	0	0	0
Assembly #5	2 PCS	2 PCS	3 PCS	3 PCS	2 PCS	2 PCS	3 PCS	3 PCS
Inlet Connection (Male)	BSP 1/2"	NPT 1/2"	BSP 1/2"	NPT 1/2"	BSP 1/2"	NPT 1/2"	BSP 1/2"	NPT 1/2"

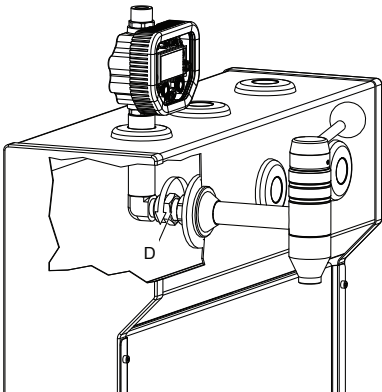
ASSEMBLY



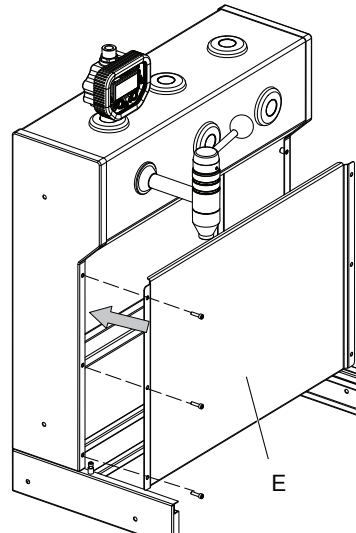
1. Assemble the nut (C), the large washer (A), put the fixed seat in front of the control board, screw the nut (C) clockwise to fix the dispensing tap.



2. Put the oil meter kit into the bracket.

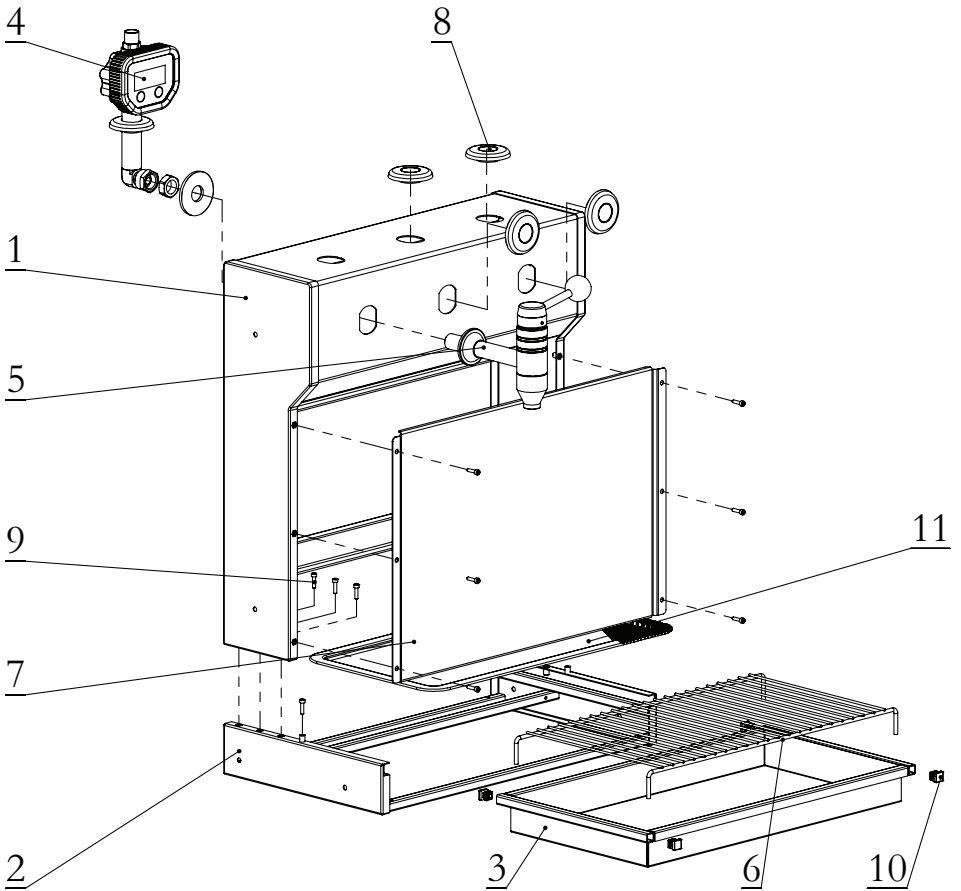


3. Screw the nut (D) clockwise to connect the dispensing tap with the oil meter kit.



4. Assemble the front board (E) with the bolt.

EXPLODED

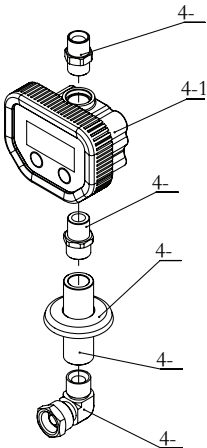
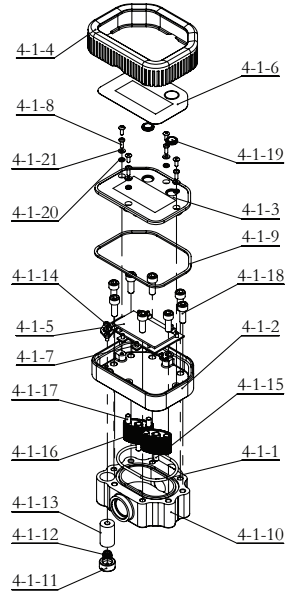
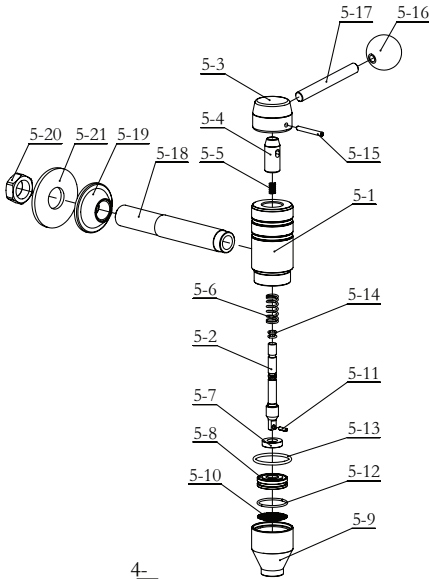


PARTS LIST

Part No.	Description	Q'ty	Part No.	Description	Q'ty
1	Main Board Assembly	1	6	Wire Mesh	1
2	Bottom Board Assembly	1	7	Front Board	1
3	Oil Tray	1	8	Cover Without Hole	4/2/0
4	Oil Meter Kit	1	9	Hexagon Socket Head Cap Screws	14
5	Dispensing Tap	1	10	Square Head Plug	4
			11	Filter	1

WEARING PARTS

S1871220					
Part No.	Description	Q'ty	Part No.	Description	Q'ty
5-7	O-ring	1	4-1-9	Cathode Compressed Spring	1
5-12	O-ring	1	4-1-12	Battery	1
5-13	O-ring	1	4-1-13	Waterproof Cap	1
5-14	O-ring	2	4-1-19	O-ring	4
4-1-1	Sealing Washer	1	4-1-20	O-ring	4



Item No.	4-1	4-2	Inlet Connection
18712201-23	√	√	BSP 1/2"
18712202-23	√	√	NPT 1/2"
18712205-23	/	/	BSP 1/2"
18712206-23	/	/	NPT 1/2"

Part No.	Description	Q'ty
4-1	Meter	1
4-2	Connector	1
4-3	Pipe	1
4-4	Elbow Connection	1
4-5	Cover With Through Hole	1
4-6	Oil Outlet	1