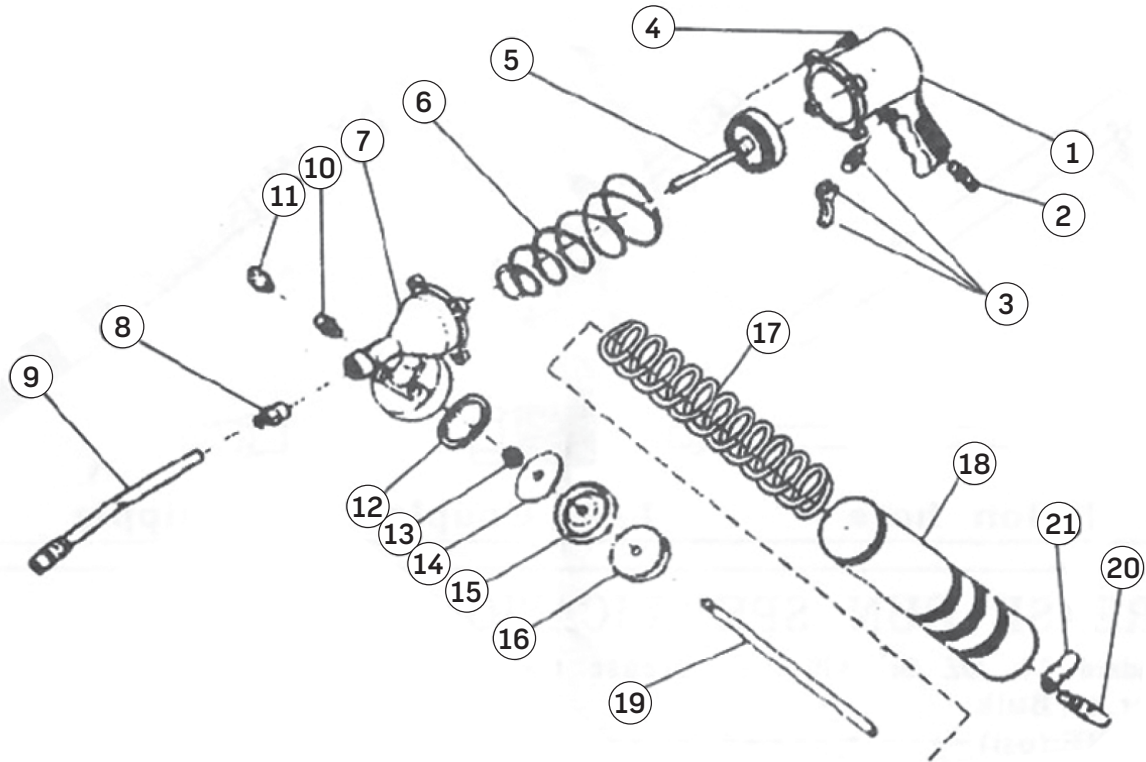


Grease Gun Kit Leaver and Air (400 gm) GGK003

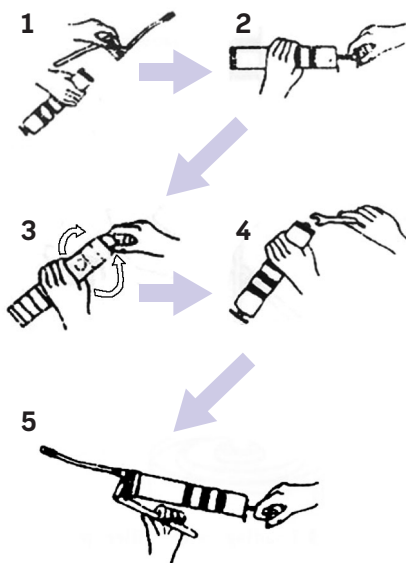
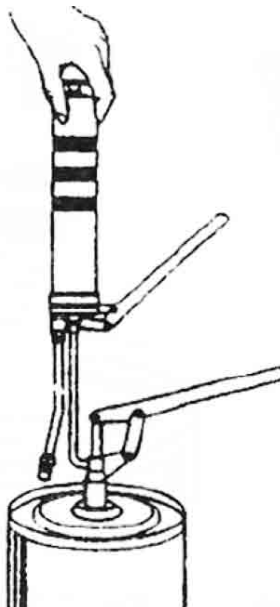


AIR GREASE GUN

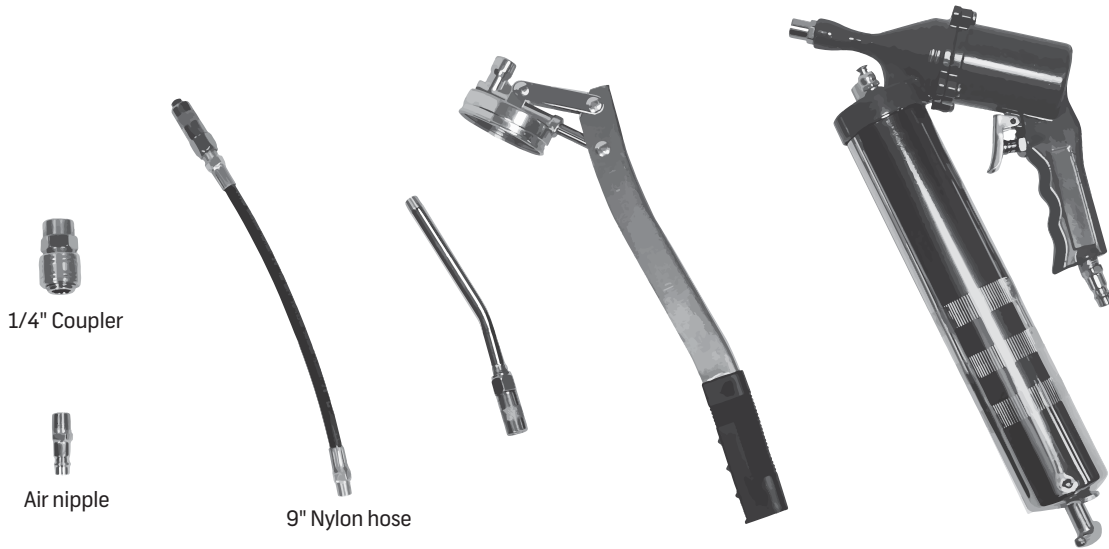
PART NO	DESCRIPTION	QTY
1	FINGER GRIP	1
2	NIPPLE	1
3	TRIGGER	1
4	BODY SCREW	4
5	AIR PLUNGER	1
6	SHORT SPRING	1
7	HOUSING CAP	1

PART NO	DESCRIPTION	QTY
8	ADAPTER	1
9	HEXAGONAL SPOUT	1
10	AIR VENT VALVE	1
11	FILLER PLUG	1
12	GASKET	1
13	PLUNGER NUT	1
14	PLUNGER WASHER	1

PART NO	DESCRIPTION	QTY
15	PLUNGER	1
16	BACKLASH GASKET	1
17	LONG SPRING	1
18	CONTAINER TURE	1
19	PISTON ROD	1
20	PLUNGER HANDLE	1
21	CATCH PLATE	1

HAND GREASE GUN**A: CARTRIDGE LOADING****B: LOADING WITH DISPENSER****C: BULK LOADING**

HAND+ AIR GREASE GUN KIT (6PCS)



OPERATING INSTRUCTIONS

Add oil daily through air inject before use. Filler plug is used for lubricants filling from a filler pump. There are three ways of grease loading: cartridge loading, suction filling and Loading with filler pump. Trigger should be pressed thoroughly during operation. If your gun fails to work, it is due to air pockets in the gun.

To remove the dirt unscrew the gun head 1 to 1-1/2 turns and act as follows:

Step 1: Draw back plunger rod fully and release quickly, repeat several times. Push plunger rod all the way in. Tighten the head to the barrel.

Step 2: Press the air vent valve several times to release the air. Now your gun is ready to use.

Load	Standard 14 OZ or 400C.C. Grease Cartridge, Pressure Filler, or Bulk
Air Pressure	30 – 150 PSI
AVG	Air Consumption: 6CFM
Air Inlet NPT	1/4"
Hose Size ID	3/8"



Fig: 1 Cartridge loading

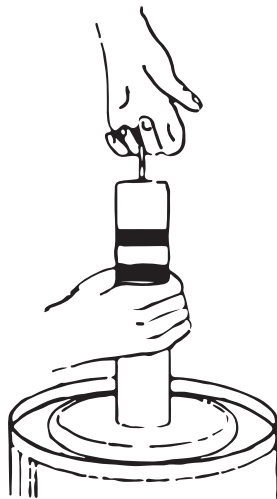


Fig: 2 Suction filling

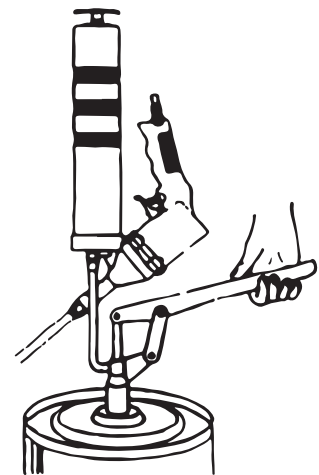


Fig: 3 Loading with filler pump