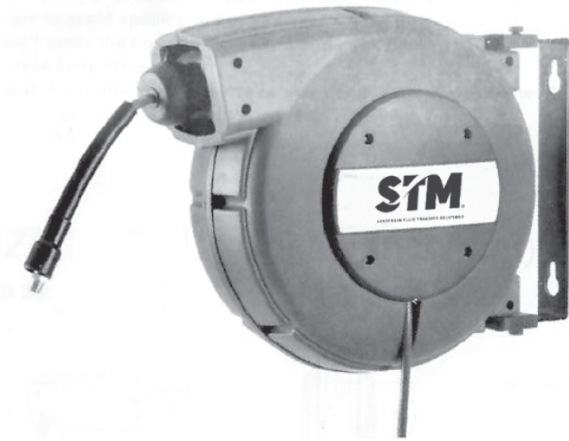


Automatic Air Hose Reel HRAP1215



 **High Quality Germany Flexible Hose
Polyurethane Mesh Hose**

- Technopolymer casing
- Easy for repairing
- Provided with hose ratchet stop device, easily removable if constant transaction is required
- New Germany flexible hose, Polyurethane hose

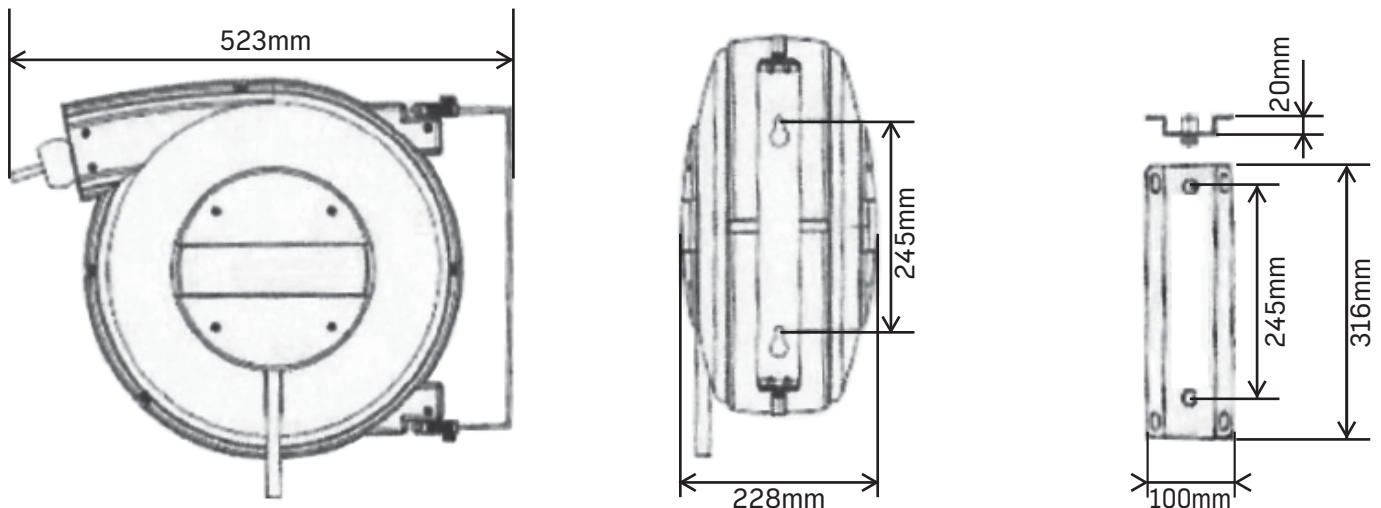
Hose I.D.	½"
Hose Length	15M
Working Pressure	30 bar/435 PSI
Inlet/Outlet Connection	M½"G

 **TO PREVENT SERIOUS INJURY, PLEASE READ THIS MANUAL CAREFULLY BEFORE USING!**

SAFETY & MAINTENANCE

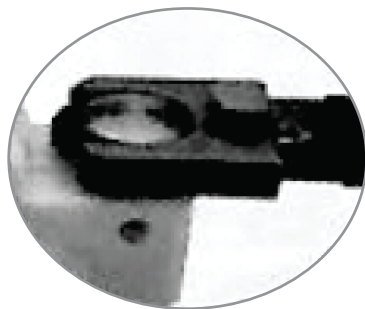
1. Ensure that only the qualified hose can install/service this hose reel, and children or unskilled people must not use it.
2. Check for any form of damage before each use. Do not use when damaged.
3. Most parts of product are made of plastic, Please don't press it heavily, in order to avoid spoiling the parts.
4. Don't loose the hose quickly when you get it back
5. Please keep hose clean.
6. Do not use the reel in damp or wet conditions. Keep the work area clean. Avoid put in sundries in hose reel

SIZE DETAIL

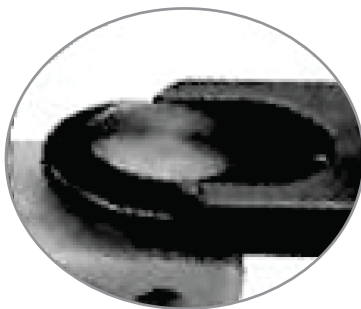


SPECIFICATION

- 1. Mounting: It can be fixed on the wall and ceiling.
- 2. Complete with 180 degree pivot bracket.

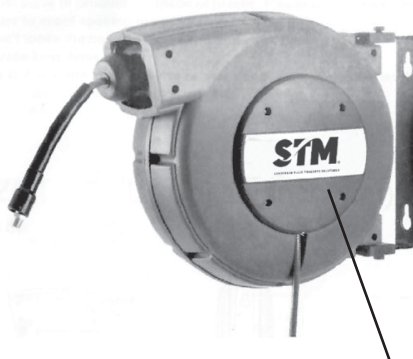


Lock (No rotation):
When the screws fixed, the bracket can't rotate



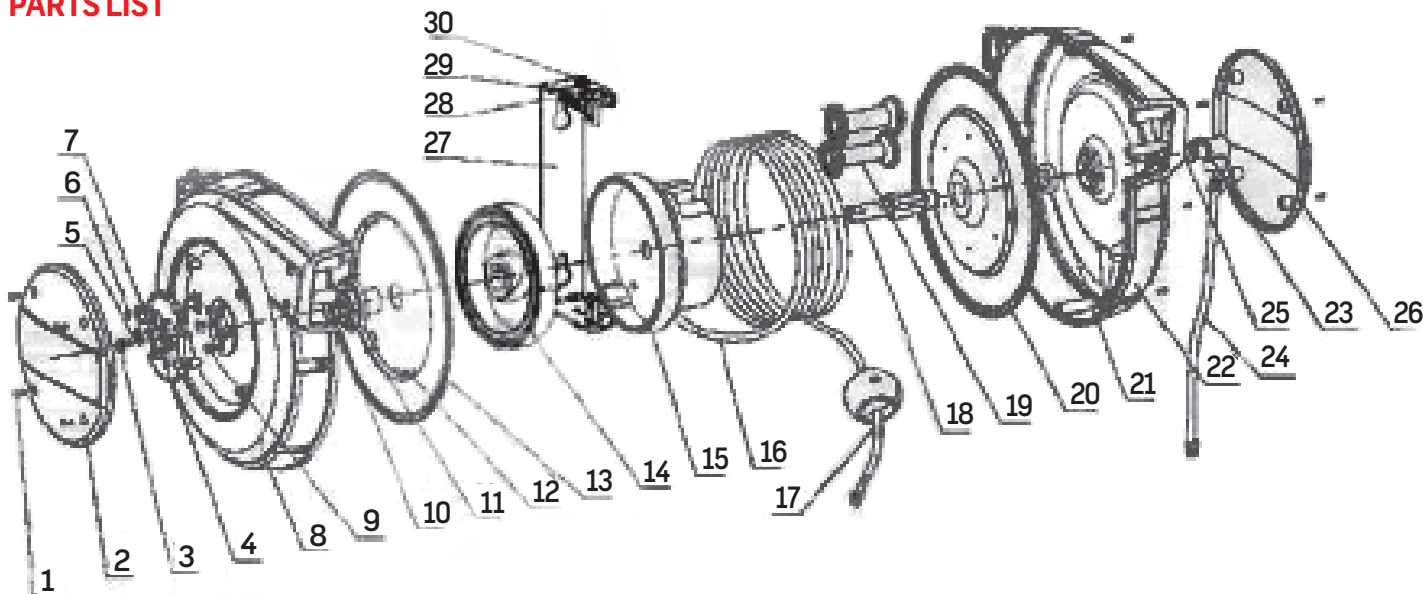
Rotation:
Loosen the screws and push out the lock, Bracket allows for 180° of rotation

- 3. Easy for repairing, just open the side cover to change the parts.



Just to open two sides cover

PARTS LIST



Item No.	Parts List	Qty
1	Self-tapping screws ST4X16	13
2	Side cover	1
3	Flange bolts M6x12	
4	Ratchet	1
5	Pawl spring	1
6	D=5 Retainer	1
7	Ratchet pawl	1
8	Side cover	1
9	M5x10 Bolt	4
10	Bearing 61802	1
11	Spring fixing seat	1
12	Self-tapping screws ST3x12	12
13	Side drum cover	1
14	Spring	1
15	Plastic drum	1

Item No.	Parts List	Qty
16	Long hose assembly	1
17	Hose stop assembly	1
18	Shaft	1
19	Guide roller	2
20	Side drum cover	1
21	Bearing 61804	1
22	Side cover	1
23	Valve assembly	1
24	Lead hose assembly	1
25	Retainer	1
26	Side cover	1
27	Handle	1
28	Swing lock seat	2
29	Supporting shaft	2
30	Swinging locking seat fixing bolt	2