

Aivia 100

A-MIP 100 Installation and user guide



General Information

Important

Read this manual before installation and use of the Aivia. Read this section carefully and follow the instructions.

The warranty does not cover damage caused by failure to follow these instructions.

AIVIA PROTECTION are wall mounted protection units that serve to house and shelter AEDs. The AIVIA PROTECTION does not ensure control of the AED, it is the sole responsibility of the DISTRIBUTOR to inform their own SUB-DISTRIBUTORS and USERS of their obligation to verify the presence and operating status of the AED by carrying out regular on site checkups. Depending on the options chosen, the AIVIA PROTECTION can trigger a visual and sound alarm. The alarm is intended as a warning signal in case of any malfunction, but no data log of malfunctions is recorded. In no event can the presence and operating status of AEDs in an AIVIA PROTECTION be controlled from a distance. The AIVIA should in no case be a substitute for the checks and inspections recommended by the manufacturer of the defibrillator.

Installation must be carried out by a qualified operator or authorized by the Aivia's manufacturer

Never install an AIVIA in direct exposure to sunlight. The unheated AIVIA must be installed in a temperate environment, in accordance with the manufacturer's specifications for the defibrillator. The heated AIVIA must be installed in an environment that respects the operating temperatures of the AIVIA. You must monitor and follow up alerts related to temperature.

The characteristics of the AIVIA are subject to changes without notice.

The manufacturer of the AIVIA reserves the right to change products at any time, including unlimited modifications to previously delivered products.

The AIVIA brand is a registered trademark.

Safety

- To avoid risk of fire or electric shock, the AIVIA should not be exposed to any naked flame.
- Leave a space of at least 13 cm around the AIVIA to assure proper ventilation.
- Keep the AIVIA away from radiators or any other heat source. Do not place the AIVIA near any devices that generate heat. Do not place anything under the AIVIA.
- To avoid damage, do not insert objects into any of the openings in the AIVIA.
- Never install the AIVIA in direct exposure to sunlight.
- Do not expose the AIVIA to any moisture when the door is open.

- The fixations must be adapted to the type of surface on which the AIVIA is fixed.

- The manufacturer cannot be held liable for improper installation or in the case of accident or injury during its installation.

Warranty

Do not disassemble the various elements that constitute the AIVIA.

Do not insert any objects into any openings.

Only qualified personnel may carry out repairs on the AIVIA.

Failure to comply with this will void any warranty.

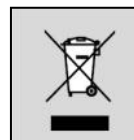
Any operation or assembly procedures expressly prohibited or not recommended by this manual, will also void the warranty.

Environmental information

- When returning the AIVIA, you should only use the original packaging.

- Do not dispose of the AIVIA or its packaging with normal household waste. Use the collection system in place in your area. The use of collection systems will help preserve the environment and your health.

- The Aivia is equipped with batteries in compliance with 2006/66/CE and 2008/103/CE European directive. These cannot be disposed of with normal household waste. Please use the system for collecting used batteries in place in your area. The proper disposal of used batteries preserves the environment and your health.



Maintenance

CAUTION

**THE AIVIA CONTAINS BATTERIES.
THERE IS A RISK OF EXPLOSION IF THE
BATTERIES SUPPLIED FOR USE BY THE AIVIA ARE
REPLACED BY INCORRECT BATTERIES.**

**ONLY AN AUTHORIZED OPERATOR CAN CARRY
OUT MAINTENANCE OPERATIONS, INCLUDING
REPLACING THE BATTERIES.**

Contents

Installation

Important	4
Aivia presentation	4
Identification Label	4
Initial opening	4
Aivia installation	5
Installing batteries in the Aivia	6
Setting up the defibrillator	7
Installing seals	7
Pictograms	7

Operation

Night mode operation	8
Alarm operation	8
Using the Aivia	8
After using the defibrillator	8
Aivia Maintenance	8

Troubleshooting	9
------------------------	----------

Aivia 100 W	10
--------------------	-----------

Specifications

Mechanical properties	11
Technical properties	11
Compliance	11

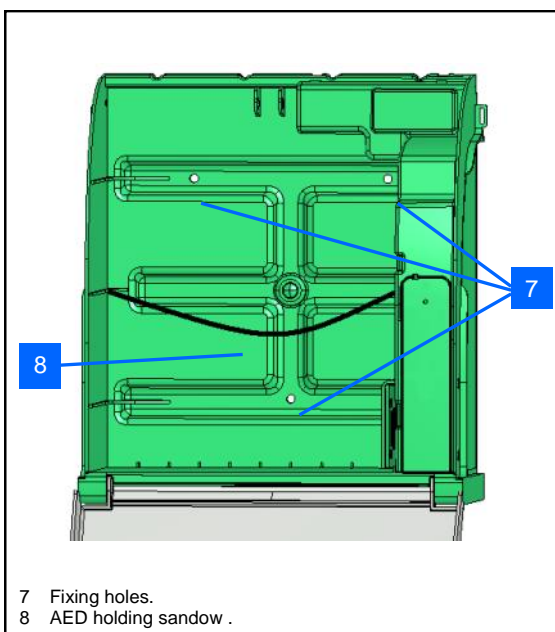
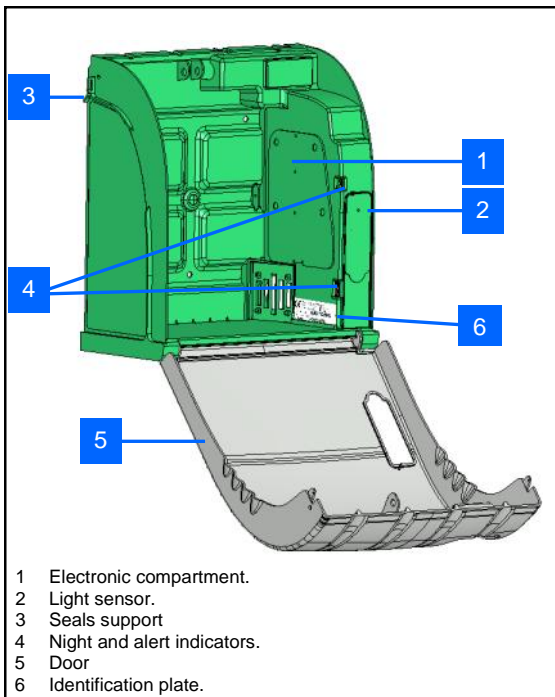
Installation

Important

Read this manual with caution before setting up and using the Aivia.

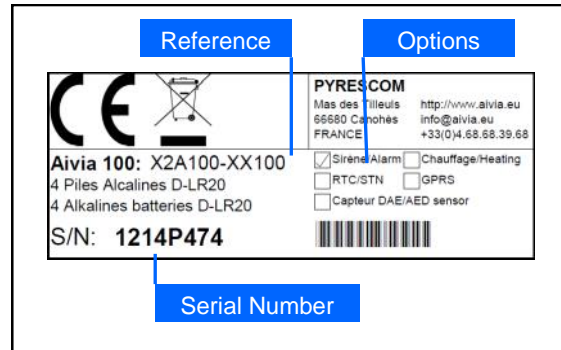
Never install Aivia in direct exposure to sunlight. You risk exposing the defibrillator to excessive temperatures.

Aivia presentation



Identification Label

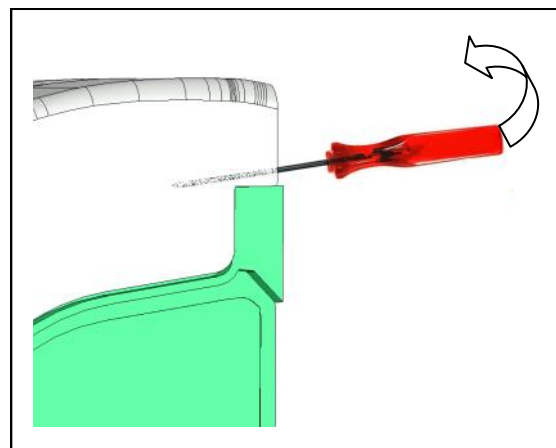
* The identification label is mounted inside the Aivia



* In the event you need to contact customer services or your distributor, please make sure you have your Aivia reference and serial number available.

Initial opening

- To open the Aivia door before fixing it to a wall, use a small screwdriver.
- Slide the screwdriver between the door and the Aivia frame.
- Pull up the screwdriver, taking care not to make any marks on the Aivia.



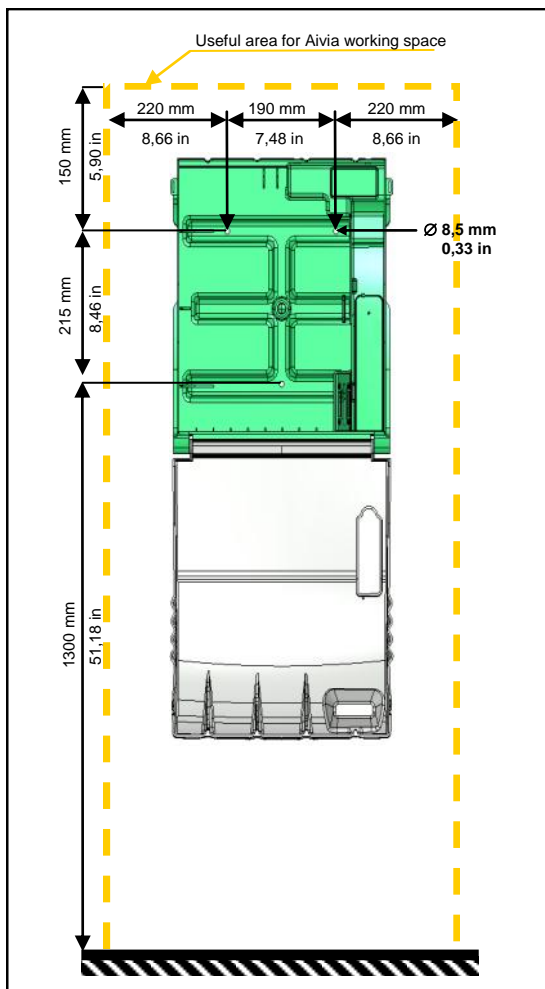
- Repeat the above steps on the other side of the Aivia.

Installation

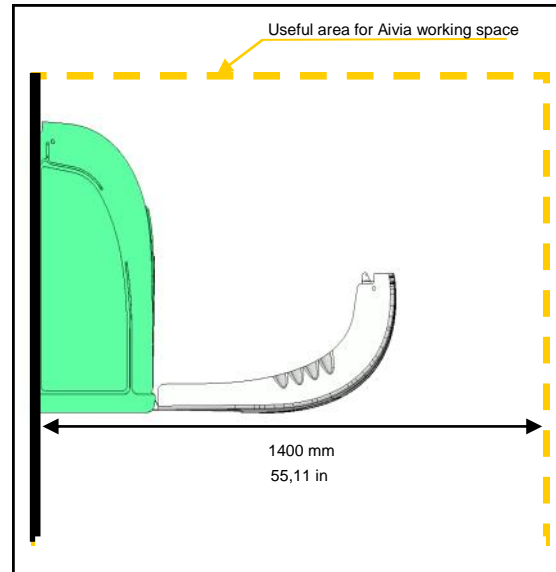
Aivia Mounting

Never install Aivia in direct exposure to sunlight. The Aivia must be installed in a protected environment, conforming with defibrillator manufacturer's instructions.

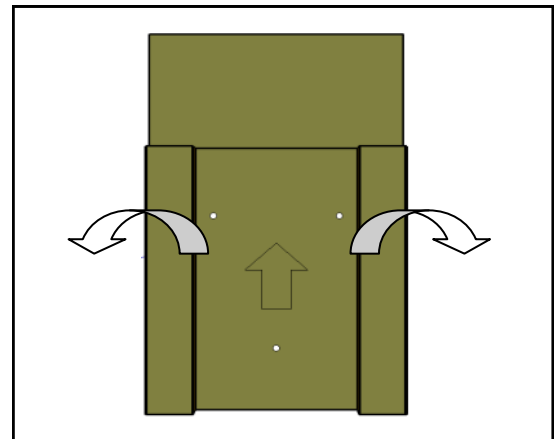
- Installation must be carried out by a qualified operator who adheres to the Bornavie charter or authorized by the Aivia manufacturer.
- If the Aivia is installed in a public street or place with public access, install a fixed ground plate (abutment) or column. Please remind that it must comply with the regulation in force regarding accessibility normative in each country and / or aerea.
- Fixations must be suitable for the type of surface which that Aivia is attached to.
- Allow for a free working area when installing the Aivia as specified in the diagrams below.
- The exact dimensions of the Aivia are provided at the end of this document in the Specifications section.



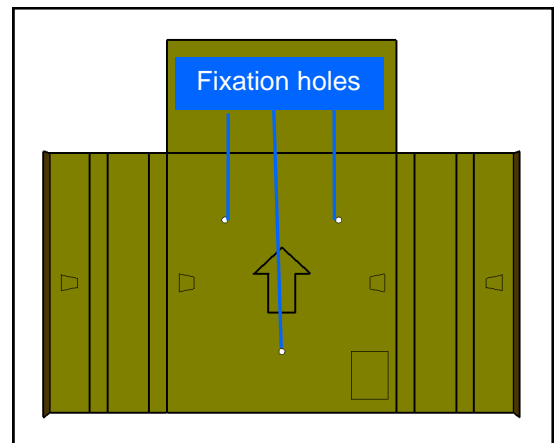
Leave a 140 cm (55,11 in) clear space in front of the Aivia wall mounting to allow door to open freely.



To mark fixation holes on the wall, use the drilling template provided with packaging.



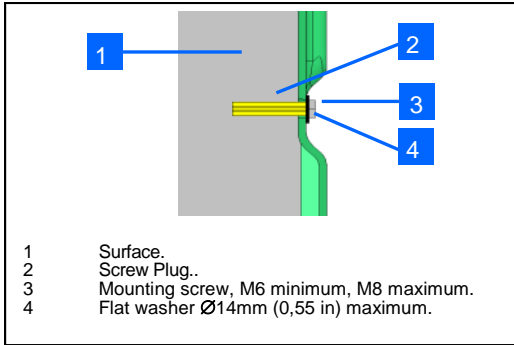
Put the template against the wall, with the arrow facing upwards and towards you.



Installation

- Use a suitable fixation method for the type of surface on which Aivia is to be installed.
- Mounting must be able to support a minimum load of 20 Kg (44 lb).

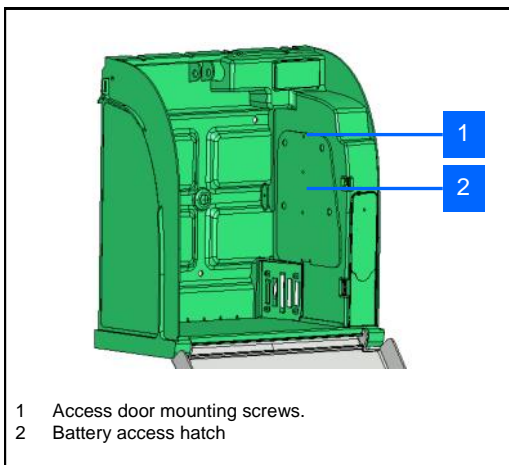
Fixation example:



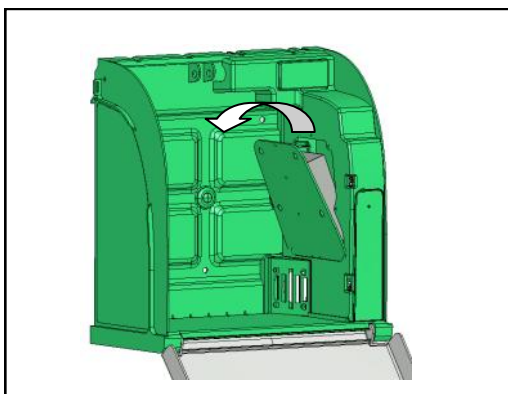
The screw head and washer together must not exceed 8 mm (0,31 in) thickness.

Use the 3 fixation holes to affix the Aivia.

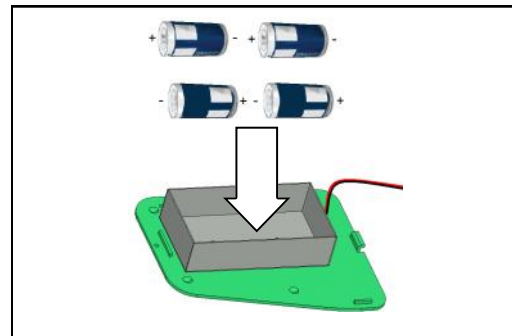
Installing batteries in the Aivia



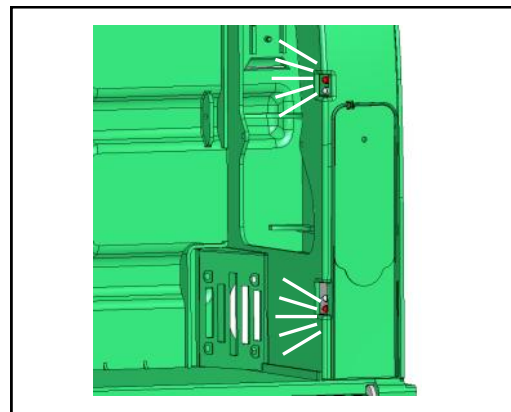
- Insert mounting screws using a phillips screwdriver.
- Pull the door at the top, taking care not to pull on the power supply wire.



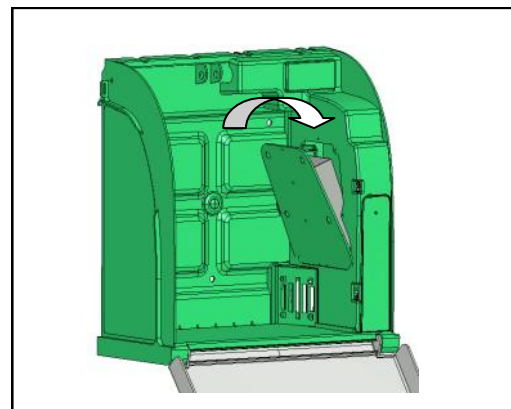
- Insert the 4 D-LR20 batteries supplied, respecting polarity indications on the bottom of the battery holder.



- Ensure that the Aivia is powered up by checking that the red warning lights are flashing.



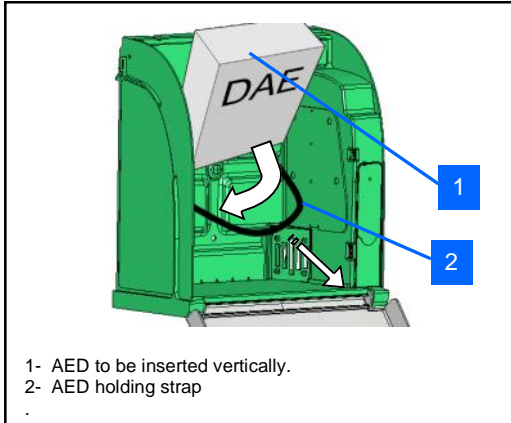
- Replace the access door by inserting the lower edge first.
- Insert mounting screws using a phillips screwdriver.



Installation

Setting up the defibrillator

Pull on the defibrillator holding strap and slide the defibrillator to the bottom of the Aivia.

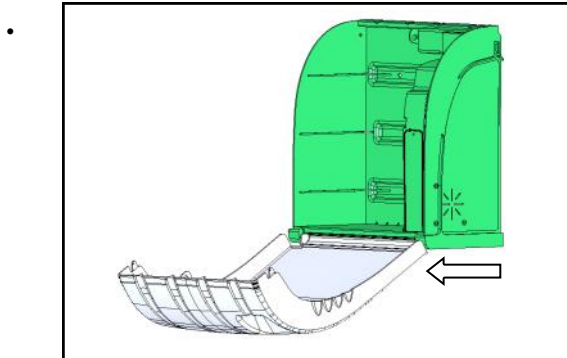


The strap allows the defibrillator to be easily removed in an emergency while ensuring that it is held properly.

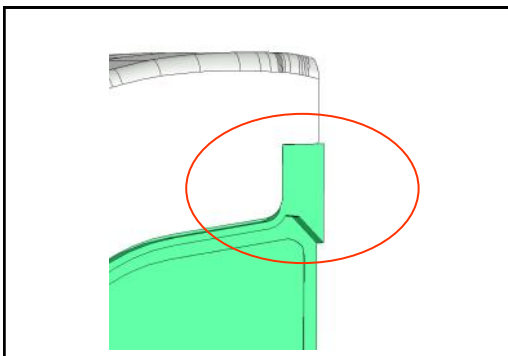
Installing seals

- The Aivia is shipped with two seal kits
- Seals give evidence of a door having been opened
- Regularly inspect seal condition
- **You must install the AED status sensor on the AIVIA W before establishing the seals. Please refer to the AIVIA 100 W section**

Seal installation

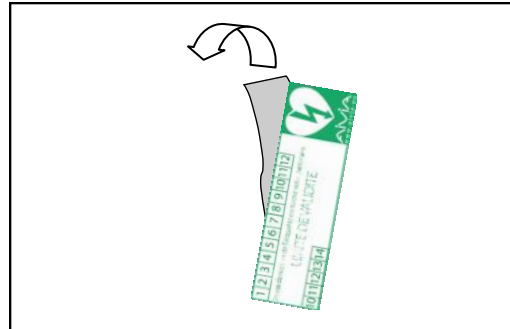


Completely close the Aivia door be sure to pull the door base toward you before shutting the door

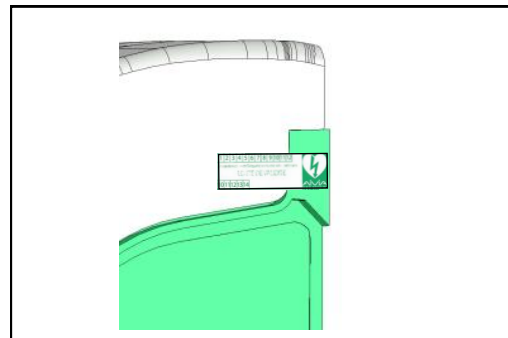


- The surfaces must be clean, dry and without any

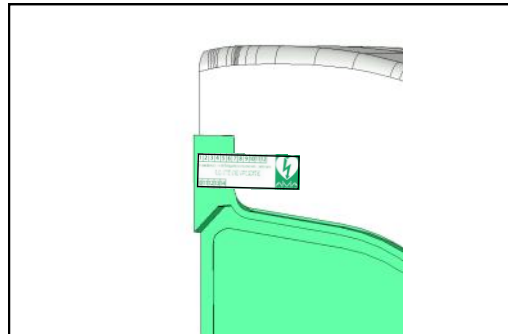
- Remove the protective film from the seal



- Stick the seal covering both the AIVIA door and chassis

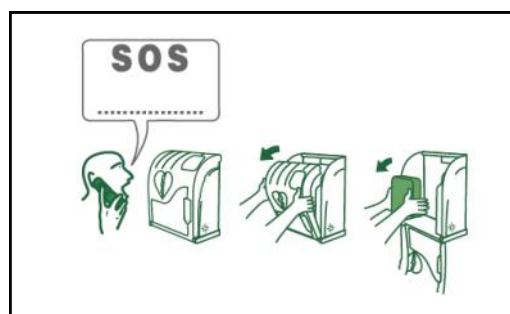


- Seals must be installed on both sides of the AIVIA



Pictograms

- The sequence printed on the Aivia door indicates the procedure to follow in case of emergency.
- Be sure to mark the number to call under the SOS.



Use

Night mode operation

- The Aivia is equipped with a light detector. In low ambient light, blinking white lights help identify the location of the Aivia.

Alert Operation

- When the door is opened, flashing red lights give a visual warning.
- If your Aivia is equipped with an audible alarm, (Ref: X2A100-XX100) it will sound for about 3 minutes (30 seconds for an 'Aivia W).
- Close the door to stop the alarm.

Using the Aivia

If you are a witness of an incident requiring use of a defibrillator.

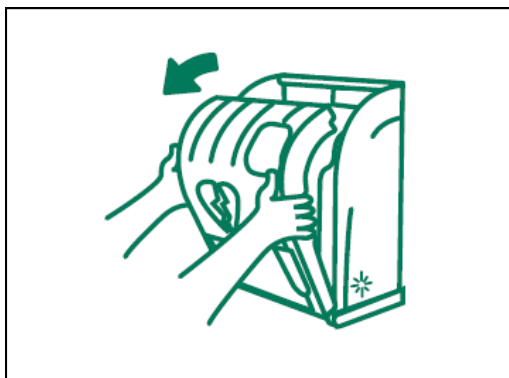
Call emergency services.

Speak in a strong, clear voice, describe the situation and specify the location of the incident.



Open the Aivia door by pulling out the top.

The visual warning will be given by flashing red lights. If your Aivia is equipped with an audible alarm, it will sound for about 3 minutes (30 seconds for an 'Aivia W).



Take out the defibrillator.



Go to the victim.

Activate the defibrillator.

Follow the defibrillator instructions.

After using the defibrillator

- Do not place the defibrillator back inside the AIVIA before reactivating it.
- Follow the instructions in the defibrillator's manual to reset it for use.
- The manufacturer may be able to help reactivate the defibrillator. Please feel free to contact them.
- After reactivating the defibrillator, replace it inside the AIVIA using the instructions in the section "Setting up the defibrillator."
- Replace the seal using the instructions in the section "Installing seals".

AIVIA Maintenance

- Clean the surfaces of the Aivia using a soft damp cloth. Wipe the Aivia with a soft, clean and dry cloth. Do not use chemical products or cleaners, which may damage the Aivia.
- Do not rub the Aivia with a hard object, which may scratch or permanently damage the surfaces.
- Do not use any high pressure cleaner.
- Regularly inspect seal condition
- If the Aivia seals have been opened, make sure that all items of the defibrillator are present and working properly. In case of any doubt, contact your defibrillator distributor.

Troubleshooting

- Red lights do not flash when batteries are installed.

1. Check correct battery polarity.
2. Check connecting wires from the battery holder.
3. Replace batteries.
4. Contact distributor.

- White lights do not flash or flash weakly in night operation.

1. Replace batteries.
2. Contact distributor.

- Red lights do not flash when the door is opened.

1. Replace batteries.
2. Contact distributor.

- Siren does not sound when door is opened.

1. Check the Siren option on the identification label.
2. Replace batteries.
3. Contact distributor.

- Red lights flash (Aivia 100 W).

- 1 Replace batteries

Aivia 100 W

Aivia 100 W

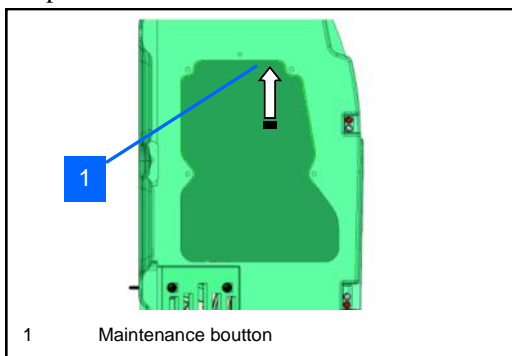
The Aivia 100 W permits to verify and trace the AED monitoring information of the AIVIANet server.

- **Maintenance operations.**

All maintenance operations must be performed after pressing the maintenance button.

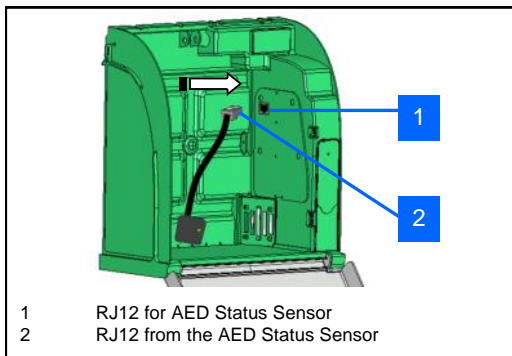
Maintenance mode stops the siren and the red warning lights. It blocks the data transmission at the AIVIANet server.

A maintenance operation without activating the maintenance mode may result an additional cost of the subscription.



- **Installation of the AED status sensor**

The AED Status sensor requires that the AED and its status indicator be operational in order to correctly check the operational status of the indicator. Please check your AED



instructions if needed.

- **Connection to the AIVIANET server.**

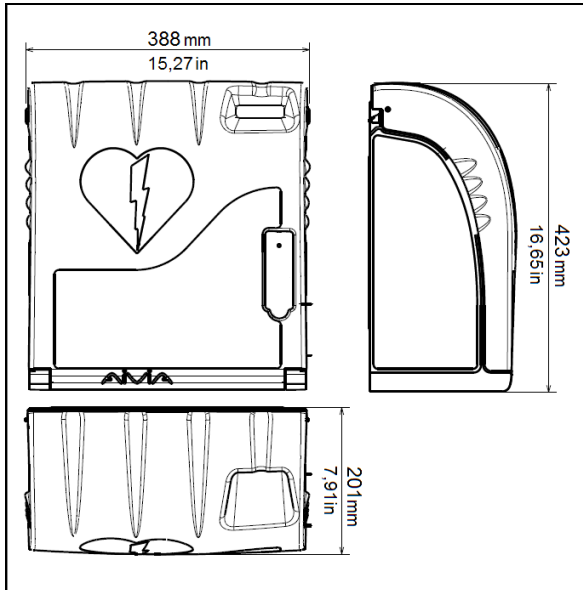
After powering up, the connection to the AIVIANET server is automatic.

Visit the supervision website: monitoring.aivia.eu for more information sent by your Aivia.

On the supervision website, you can download the manual of the AIVIANET A-GUS A in the documentation section.

Specifications

Mechanical properties



Weight batteries included


- X2A100-XX000: 3.3Kg (7,27lb).
- X2A100-XX100 (siren option): 3.6 Kg (7,93lb).

Materials:

- Door: Polycarbonate.
- Frame: ABS.
- Bracket: ABS.
- Hatch: ABS.

Technical properties:

- Power supply:
4 D-LR20 Alkaline batteries, 13 Amp-Hour minimum.
 - Electrical consumption:
 - X2A100-XX000:
Minimum: 0.8 mA.
Maximum: 75 mA.
 - X2A100-XX100 (siren option):
Minimum: 0.8 mA.
Maximum: 450 mA.
Sound level: 90 dB /1 metre.
 - Autonomy:
Over 1 year (12 hours night)
- Autonomy Aivia 100 W:
Over 3 years (12 hours night)

- Aivia operating temperatures and humidity :
Minimal temperature : : 0°C (32°F).
Maximal temperature:: 40°C (104°F).
Relative humidity:  95% without condensation.

Compliance

X2A100-XX***:

EN 55022:2006
EN 55024:1998 / A1:2001 / A2:2003

U2A100-XX***:

IEC 60950-1:2005+A1:2009
EN 60950-1:2006 (Second Edition) +A11:2009
+A1:2010 +A12:2011
UL 60950-1:2007 R12.11
CAN/CSA-C22.2 No.60950-1-07+A1:2011

EN 61000-6-2:2005+A1:2006
EN 61000-6-3:2007+A1:2011
FCC Part 15:2009

www.aivia.eu

info@aivia.eu

2016-11-04



A - M I P 1 0 0 - E N - 2 1 1